

# STRYKER RIB LX 360

The Stryker RIB LX 300 has a double aluminum hull with flat deck. Bow locker and EVA flooring are standard features on these beautiful boats.

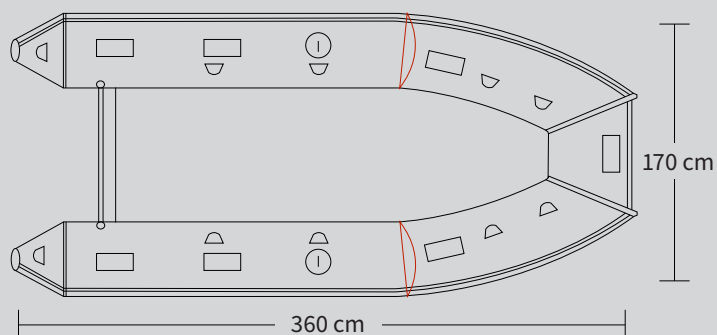
## SPECIFICATIONS

### SIZE

- Overall Length 360cm or 11' 8"
- Inside Length 267cm or 8' 8"
- Overall Width 170cm or 5' 6"
- Inside Width 79cm or 2' 6"
- Weight 83kg or 183lbs
- Tube Diameter 44cm or 1' 4"
- # of Air Chambers 3
- PVC Thickness 0.9mm

### CAPACITY

- Max Load 561kg or 1237lbs
- Max # people 6
- Max Motor 30HP
- Max Motor Weight 120kg or 264 lbs
- Transom Height 15"
- Max Tube Pressure 3.6 psi



## FEATURES

- Entirely Thermowelded Seams
- Integrated transom supports
- 2.5mm Aluminum hull
- 0.9mm Heytex PVC tube
- Stryker Shield™ Keel Strake
- Stryker Shield™ Under Tubes
- 2x oar holders on inner tube
- Anti Over-Inflation Safety Valve
- Reinforced Tube to Transom
- Stern tabs
- Exterior Water Redirecting Strake
- Handle @ Bow
- Tow Rope
- 2 Tow Rings on aluminum hull
- Bow locker (Fit 24L fuel tank)
- Removable seat with EVA
- Drain Valve
- Carry Handles
- Slider seat design
- Engine Mounting Plate
- Gas Tank Belt
- 

### INCLUDED IN BOX

- 2 x Aluminum Bench Seat Aluminum
- Oars
- Foot Pump
- Repair Kit
- Attachable Fabric Oar Holders
- 
- 
- 
- 
- 
- 

