

JET 470

Perfect for running shallows is our JET that boasts a tunnel hull to provide extra protection for your jet foot. Entire belly of boat covered in Stryker Shield. Removable top tubes that add additional splash protection as well as giving passengers additional security by raising the edges of the boat.

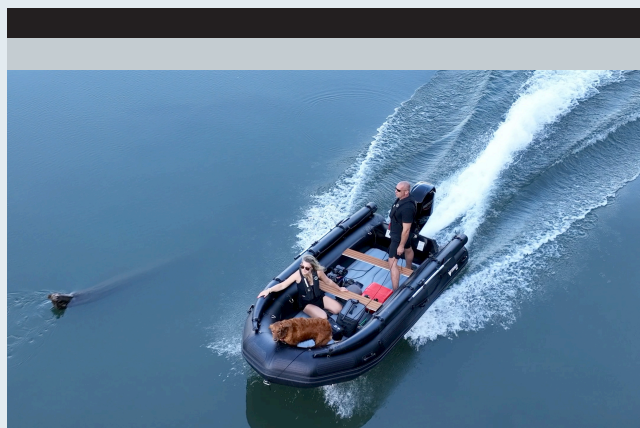
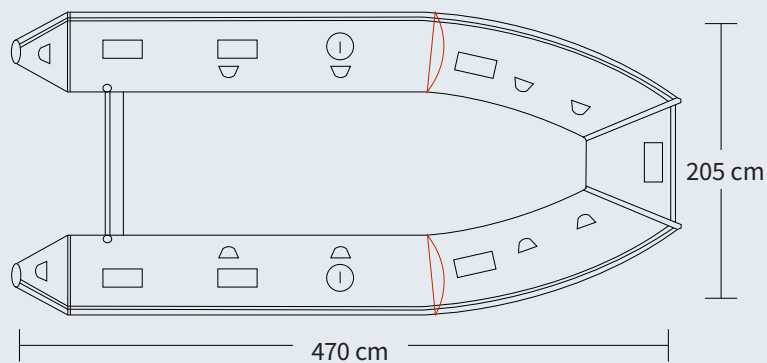
SPECIFICATIONS

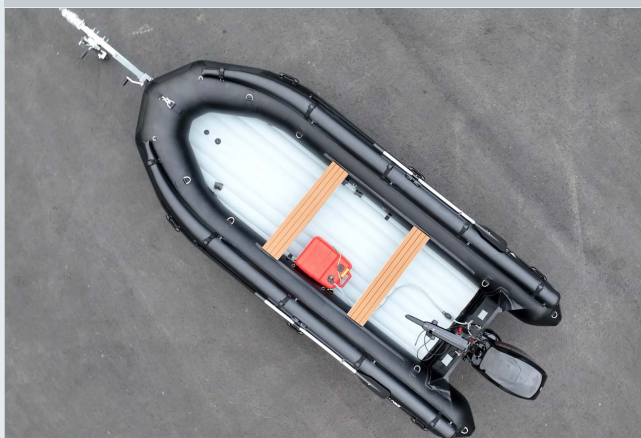
SIZE

- Overall Length 470cm or 15' 4"
- Inside Length 346cm or 11' 3"
- Overall Width 205cm or 6' 7"
- Inside Width 90cm or 2' 10"
- Weight 103 kg or 227 lbs
- Tube Diameter 50cm or 1' 8"
- # of Air Chambers 6
- PVC Thickness 1.8mm & .9mm

CAPACITY

- Max Load 1595kg or 3516lbs
- Max # people 21
- Max Motor 94 HP
- Max Motor Weight 203kg or 448 lbs
- Transom Height 20"
- Max Tube Pressure 3.6 psi





FEATURES

- Entirely Thermowelded Seams
- Aluminum Transom
- 1.8mm Underbelly
- Textured Protective Layer Over Air Floor
- Full Stryker Shield™ Under Boat
- Sliding EVA Bench Seats
- Integrated Engine Mount Plate
- Anti Over-Inflation Safety Valve
- Reinforced Tube to Transom
- Complete Peripheral Life Line
- Exterior Water Redirecting Strake
- D Handle @ Bow
- Tow Rope
- 2 Tow Rings
- Oar Locks
- Oar Holders
- One Way Drain Valve
- 6 Carry Handles
- Interior D Rings
- Removable Top Tubes
-
-

INCLUDED IN BOX

- 2 x Aluminum Bench Seat
- Seat Bag
- Aluminum Oars
- Boat Bag
- Essentials Bag
- Foot Pump
- Repair Kit