

JET EXTREME 420

Take our JET ULTRA, but with 56 cm (22") tubes instead of 50 cm (20") tubes, which provides even greater flotation. This allows the JET EXTREME to run extremely shallow, and helps with very heavy or unbalanced payloads. Our most coveted inflatable shallow water boat.

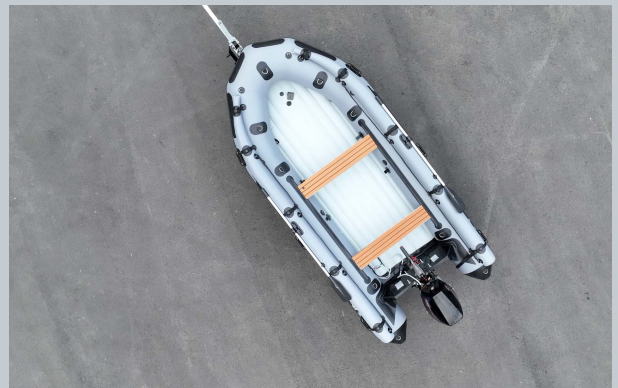
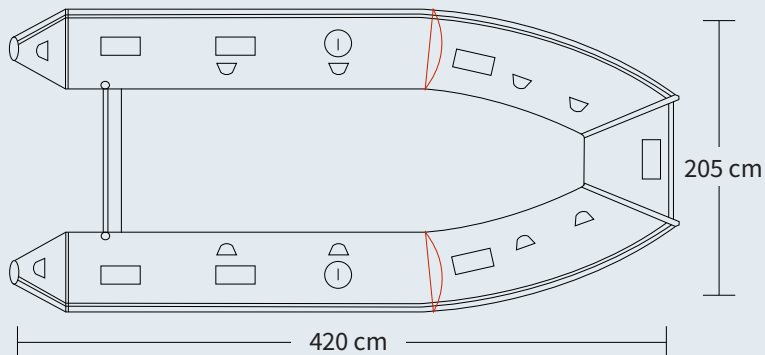
SPECIFICATIONS

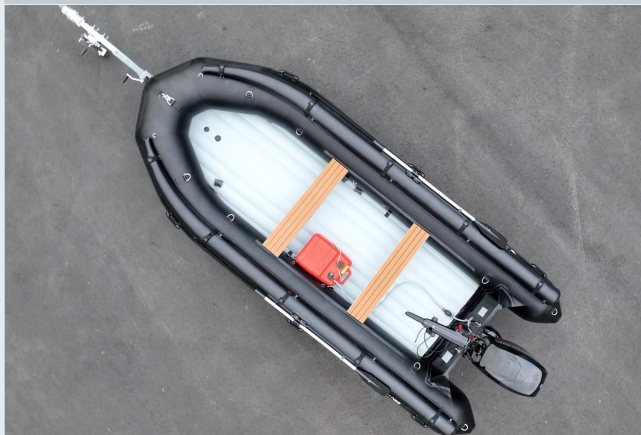
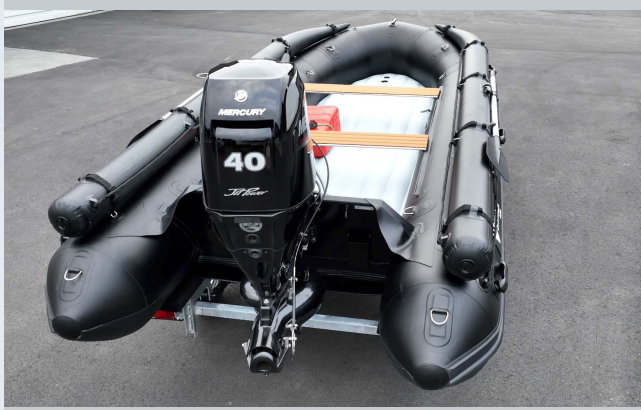
SIZE

- Overall Length 420cm or 13' 7"
- Inside Length 290cm or 9' 5"
- Overall Width 205cm or 6' 7"
- Inside Width 90cm or 2' 10"
- Weight 99kg or 212 lbs
- Tube Diameter 22"
- # of Air Chambers 5 in body, 1 in floor & 2 removable top tubes
- PVC Thickness 1.8mm & .9mm

CAPACITY

- Max Load 139kg or 3392lbs
- Max # people 20
- Max Motor 85 HP
- Max Motor Weight 203kg or 448 lbs
- Transom Height 20"
- Max Tube Pressure 3.6 psi





FEATURES

- Entirely Thermowelded Seams
- Aluminum Transom
- 1.8mm Underbelly
- Textured Protective Layer Over Air Floor
- Full TPU Coverage Under Boat
- Sliding EVA Bench Seats
- Integrated Engine Mount Plate
- Anti Over-Inflation Safety Valve
- Reinforced Tube to Transom
- Peripheral Life Line
- Exterior Water Redirecting Strake
- D Handle @ Bow
- Tow Rope
- 2 Tow Rings
- Oar Locks
- Oar Holders
- One Way Drain Valve
- 6 Carry Handles
- Interior D Rings
- Removable Top Tubes
-
-

INCLUDED IN BOX

- 2 x Aluminum Bench Seat
- Seat Bag
- Aluminum Oars
- Boat Bag
- Essentials Bag
- Foot Pump
- Repair Kit