

# JET EXTREME 470

Take our JET ULTRA, but with 56 cm (22") tubes instead of 50 cm (20") tubes, which provides even greater flotation. This allows the JET EXTREME to run extremely shallow, and helps with very heavy or unbalanced payloads. Our most covered inflatable shallow water boat.

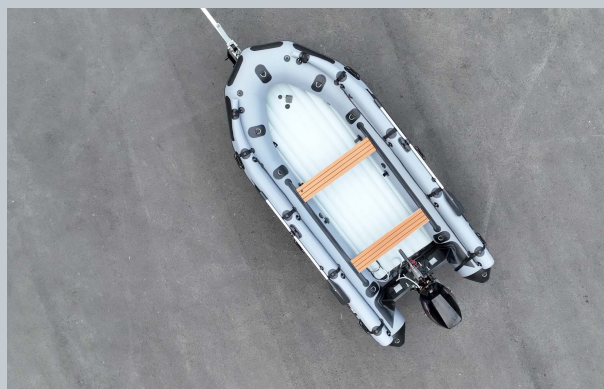
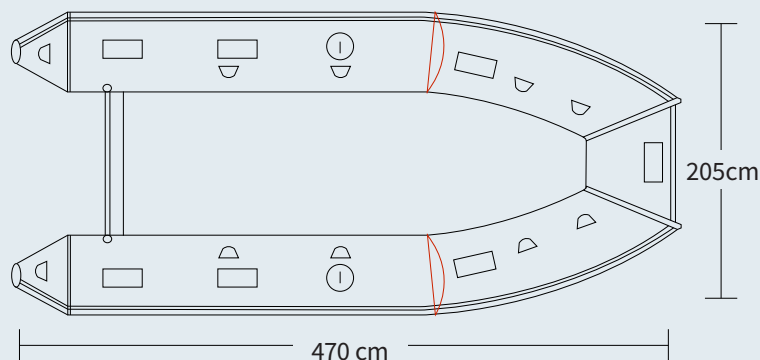
## SPECIFICATIONS

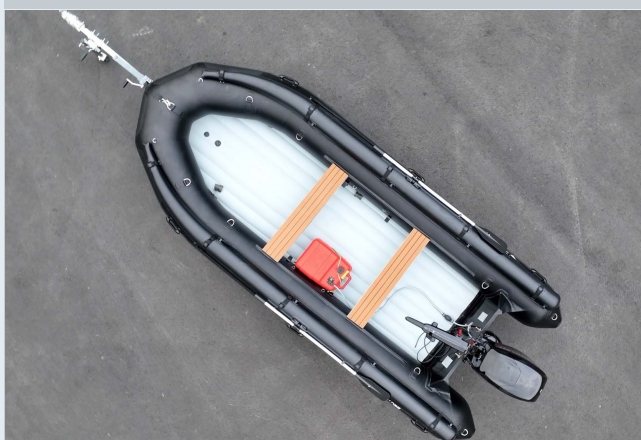
### SIZE

- |                     |   |
|---------------------|---|
| ○ Overall Length    | 470cm or 15' 4"                               |
| ○ Inside Length     | 346cm or 11' 3"                               |
| ○ Overall Width     | 205cm or 6' 9"                                |
| ○ Inside Width      | 90cm or 2' 10"                                |
| ○ Weight            | 109 kg or 240 lbs                             |
| ○ Tube Diameter     | 22"   |
| ○ # of Air Chambers | 5 in body, 1 in floor & 2 removable top tubes |
| ○ PVC Thickness     | 1.8mm & .9mm                                  |

### CAPACITY

- |                     |                   |
|---------------------|-------------------|
| ○ Max Load          | 1745kg or 3847lbs |
| ○ Max # people      | 23                |
| ○ Max Motor         | 100 HP            |
| ○ Max Motor Weight  | 203kg or 448 lbs  |
| ○ Transom Height    | 20"               |
| ○ Max Tube Pressure | 3.6 psi           |





## FEATURES

- Entirely Thermowelded Seams
- Aluminum Transom
- 1.8mm Underbelly
- Textured Protective Layer Over Air Floor
- Full TPU Coverage Under Boat
- Sliding EVA Bench Seats
- Removable Top Tubes
- Anti Over-Inflation Safety Valve
- Reinforced Tube to Transom
- Life Line
- Exterior Water Redirecting Strake
- D Handle @ Bow
- Tow Rope
- 2 Tow Rings
- Oar Locks
- Oar Holders
- One Way Drain Valve
- 6 Carry Handles
- Interior D Rings
- Integrated Engine Mount Plate
- 
- 

### INCLUDED IN BOX

- 2 x Aluminum Bench Seat
- Seat Bag
- Aluminum Oars
- Boat Bag
- Essentials Bag
- Foot Pump
- Repair Kit