

JET ULTRA 420

All the features of our JET, with entire belly of boat covered in 1.5 mm American made Thermoplastic Polyurethane (TPU), instead of Stryker Shield, which allows the boat to slide over obstacles easier.

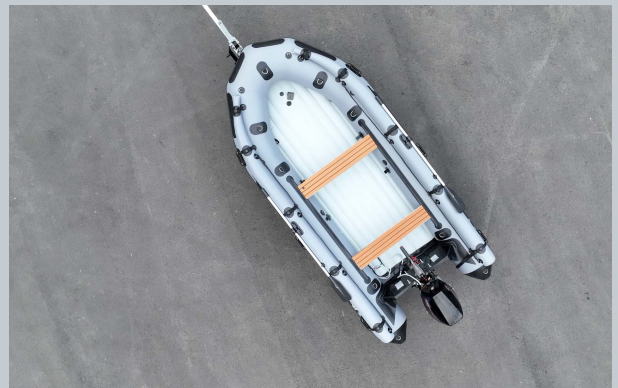
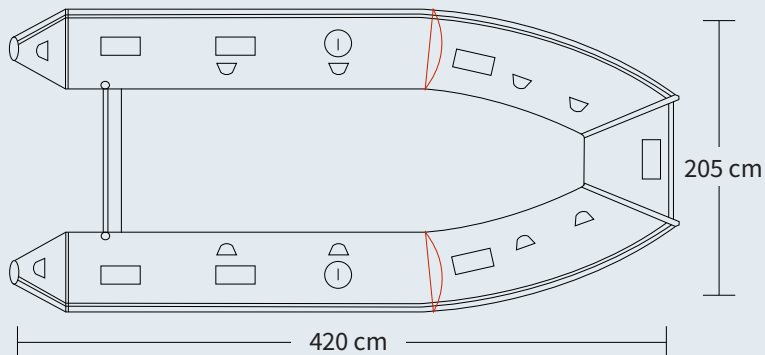
SPECIFICATIONS

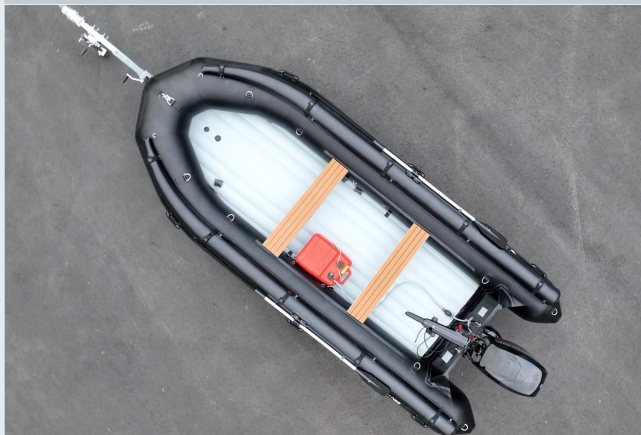
SIZE

○ Overall Length	420cm or 13' 7"
○ Inside Length	290cm or 9' 5"
○ Overall Width	205cm or 6' 2"
○ Inside Width	90cm or 2' 10"
○ Weight	95kg or 210 lbs
○ Tube Diameter	20"
○ # of Air Chambers	5 in body, 1 in floor & 2 removable top tubes
○ PVC Thickness	1.8mm & .9mm

CAPACITY

○ Max Load	1389kg or 3062lbs
○ Max # people	18
○ Max Motor	80 HP
○ Max Motor Weight	203kg or 448 lbs
○ Transom Height	20"
○ Max Tube Pressure	3.6 psi





FEATURES

- Entirely Thermowelded Seams
- Aluminum Transom
- 1.8mm Underbelly
- Textured Protective Layer Over Air Floor
- Full TPU Coverage Under Boat
- Sliding EVA Bench Seats
- Integrated Engine Mount Plate
- Anti Over-Inflation Safety Valve
- Reinforced Tube to Transom
- Peripheral Life Line
- Exterior Water Redirecting Strake
- D Handle @ Bow
- Tow Rope
- 2 Tow Rings
- Oar Locks
- Oar Holders
- One Way Drain Valve
- 6 Carry Handles
- Interior D Rings
- Removable Top Tubes
-
-

INCLUDED IN BOX

- 2 x Aluminum Bench Seat
- Seat Bag
- Aluminum Oars
- Boat Bag
- Essentials Bag
- Foot Pump
- Repair Kit